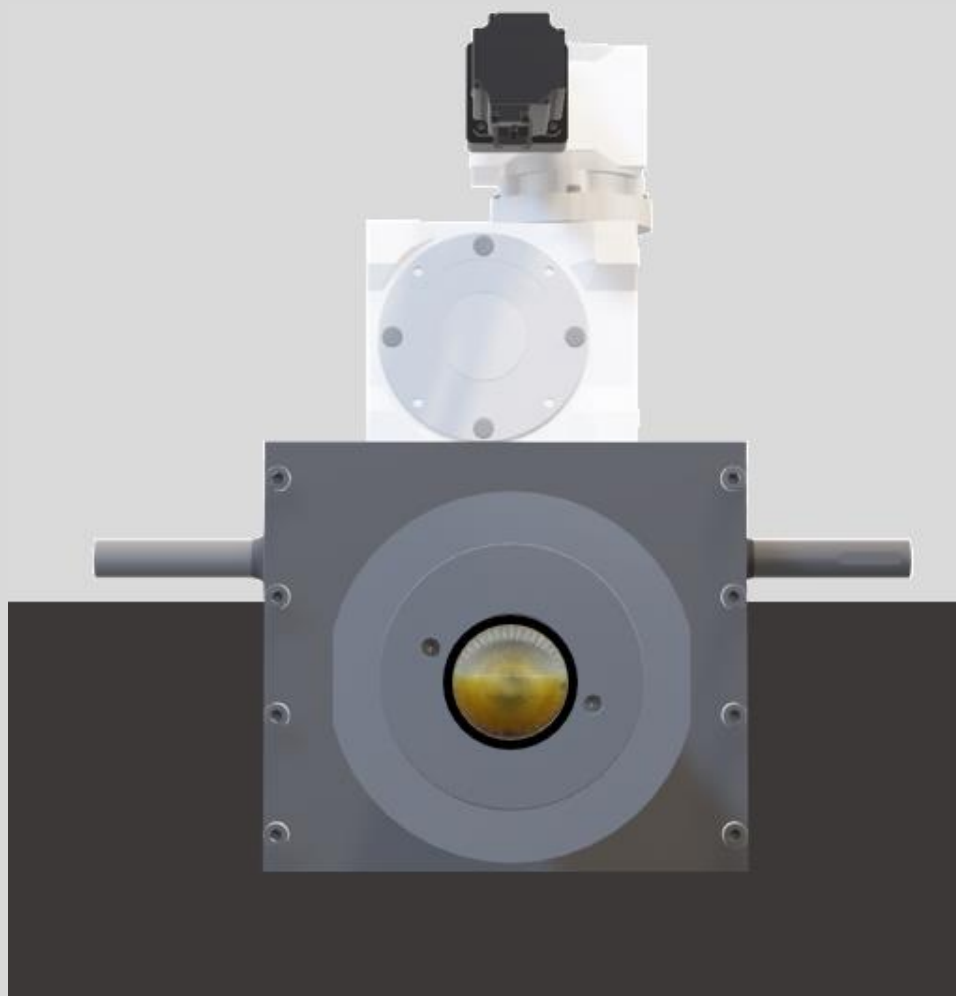
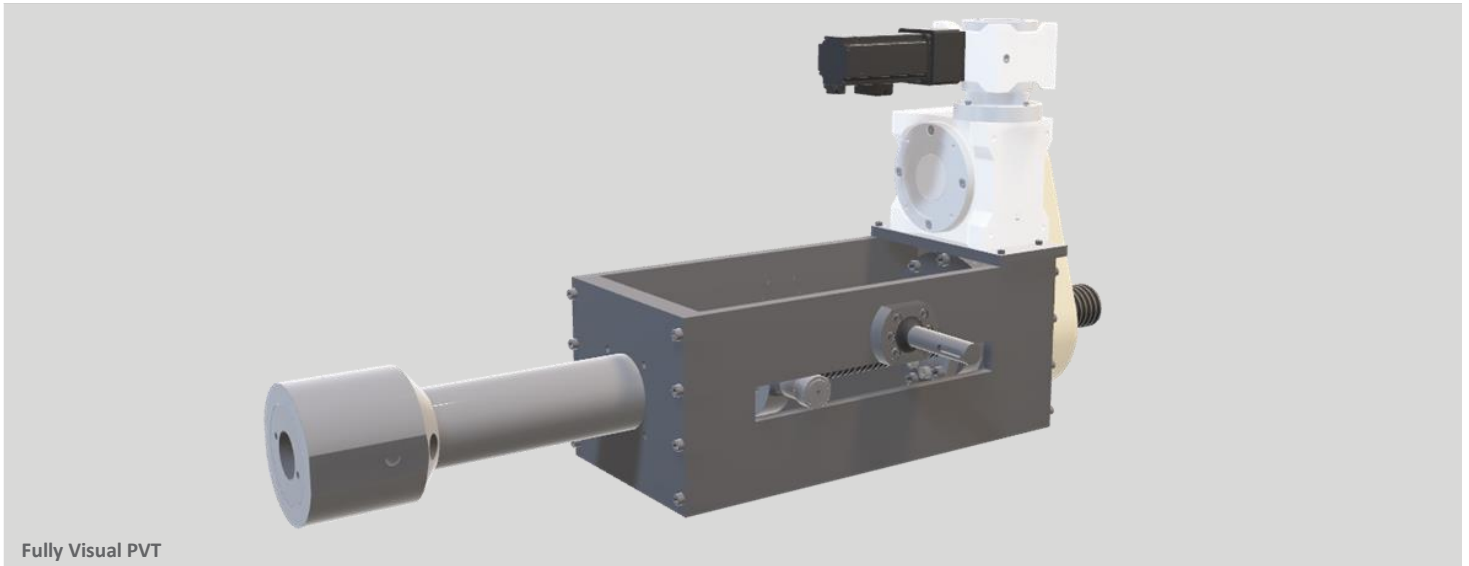


THE PVT LABORATORY

PVT and Phase Behaviour Testing for Oil & Gas, CCS/CCU and Hydrogen





Fully Visual PVT

THE FLUID TESTING LAB

At fluidXlab, we redefine fluid characterisation. We continuously develop testing procedures to improve routine and specialised fluid analysis. Our multidisciplinary team of highly skilled engineers is dedicated to achieving excellence and setting the industry standard for the highest quality measurements. This approach aims to mitigate field development risk and help our customers outperform.

PVT AND PHASE BEHAVIOUR TESTING FOR OIL & GAS, CCS/CCU AND HYDROGEN

fluidXlab can integrate various methods and techniques, including microfluidics, allowing the team to develop customised solutions for complex projects. Our services include complex fluid preparation (including composition, density, and viscosity), routine PVT experiments, flow assurance investigations, miscibility tests, and other specialised fluid analyses.

YOUR BENEFITS

fluidXlab has developed robust workflows to characterise complex fluids:

- ▮ Complex fluid mixture preparation, GC, and NMR
- ▮ Pressurised fluid density, viscosity, and composition
- ▮ Routine laboratory measurements (CCE, CVD, DLE, Lab MSS)
- ▮ Miscibility tests (IFT, Slim tube, Multi-Contact, Solubility Swelling)
- ▮ Compatibility and flow assurance (AOP/AOT, WAT, Salt Precipitation)
- ▮ Diffusion and solubility (Liquid-Liquid, Gas-Liquid, Gas-Gas)



CO₂ – Gas Condensate Phase Behavior (Test)

Contact us today and talk to one of our fluidic experts!

fluidXlab@hoteng.com | fluidXlab.com

